

承座銷·肋紋或尖頭

EH 22680.

產品描述

適用於有粗糙表面的工件。尖頭形狀特別適用於鑄造零件。

材質

入子

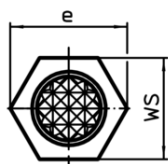
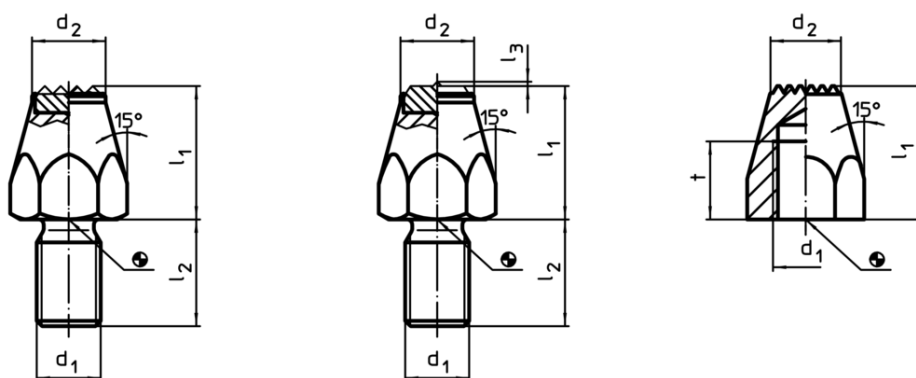
- 硬金屬，有肋紋
- 硬金屬，有尖點

本體

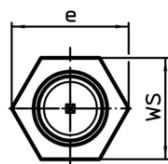
- 鋼，熱處理，染黑
- 切削鋼，表面硬化，染黑



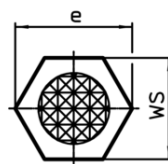
圖面



picture 1



picture 2



picture 3

訂單資訊

尺寸		WS	起動 扭力 max. [Nm]	RoHS	REACH	品號						
l_1	d_1						l_2	l_3	t	d_2	e	
[mm]							[g]					
有硬金屬入子，有肋紋，和有牙的柄 – 相片 1												
10	M 6	11	–	–	9,5	11,5	10	7	9	RoHS 認證	contains no SVHC materials	22680.0061
15	M 8	13	–	–	12,5	15,0	13	18	22	RoHS 認證	contains no SVHC materials	22680.0081
20	M10	15	–	–	12,5	19,6	17	32	40	RoHS 認證	contains no SVHC materials	22680.0101
25	M12	20	–	–	13,8	21,9	19	60	64	RoHS 認證	contains no SVHC materials	22680.0121

l ₁	d ₁	l ₂	尺寸				e	WS [mm]	起動 扭力 max. [Nm]	 [g]	RoHS	REACH	品號
			l ₃	t	d ₂	[mm]							
有硬金屬入子，有尖點，和有牙的柄 – 相片 2													
10	M 6	11	0,8	–	9,5	11,5	10	7	9	RoHS 認證	contains no SVHC materials	22680.0063	
15	M 8	13	0,8	–	12,5	15,0	13	18	23	RoHS 認證	contains no SVHC materials	22680.0083	
20	M10	15	0,8	–	12,5	19,6	17	32	40	RoHS 認證	contains no SVHC materials	22680.0103	
25	M12	20	0,8	–	13,8	21,9	19	60	65	RoHS 認證	contains no SVHC materials	22680.0123	
表面硬化，有肋紋，有母螺紋 – 相片 3													
20	M 8	–	–	10	9,0	15,0	13	18	14	RoHS 認證	contains SVHC materials >0.1% w/w	22680.0142	
25	M 8	–	–	10	9,0	15,0	13	18	20	RoHS 認證	contains SVHC materials >0.1% w/w	22680.0144	
25	M10	–	–	13	12,5	19,6	17	32	31	RoHS 認證	contains SVHC materials >0.1% w/w	22680.0164	
30	M10	–	–	13	12,5	19,6	17	32	40	RoHS 認證	contains SVHC materials >0.1% w/w	22680.0166	
40	M10	–	–	13	12,5	19,6	17	32	60	RoHS 認證	contains SVHC materials >0.1% w/w	22680.0168	
25	M12	–	–	15	13,0	21,9	19	60	33	RoHS 認證	contains SVHC materials >0.1% w/w	22680.0184	
30	M12	–	–	15	13,0	21,9	19	60	44	RoHS 認證	contains SVHC materials >0.1% w/w	22680.0186	
40	M12	–	–	15	13,0	21,9	19	60	69	RoHS 認證	contains SVHC materials >0.1% w/w	22680.0188	

應用範例

