

UCQ2

薄型鋁合金氣缸

UCQ2 THIN-TYPE PNEUMATIC CYLINDER



產品特性 FEATURES

氣缸內徑 (mm)	Φ12	Φ16	Φ20	Φ25	Φ32	Φ40	Φ50	Φ63	Φ80	Φ100
標準行程 (mm)	5, 10, 15, 20, 25, 30, 35, 40, 45, 50									
行程範圍 (mm)	Max:30		Max:50							
使用溫度範圍 (°C)	-10 ~ +60 °C									

最大操作壓力: 10 kgf/cm²
 最小操作壓力: 1 kgf/cm²

Max. operating pressure: 10 kgf/cm²
 Min. operating pressure: 1 kgf/cm²

注意事項

UCQ2系列可附磁性感應 (單動不附磁性感應)
 行程在50mm以上屬於特殊定製

NOTE

Magnetic piston(optional).
 Stroke in more than 50 mm belongs to special custom.

單雙動氣缸 DOUBLE-SINGLE ACTING CYLINDERS

單動常入型 (壓回) Single acting-normally retracted piston rod type	UCQ2...S	
單動常出型 (壓出) Single acting-normally extended piston rod type	UCQ2...T	
雙動單軸標準型 Double acting-single end rod type	UCQ2...	
雙動單軸型附磁性感應 Double acting-single end rod type(piston with magnet)	UCDQ2...	
雙動雙軸型 Double acting-double end rod type	UCQ2W...	
雙動雙軸型附磁性感應 Double acting-double end rod type(piston with magnet)	UCDQ2W...	

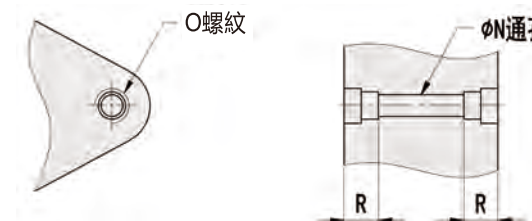
訂購標示法 ORDERING INDICATION

示例: UCDQ2WB20-10-SMDA73*2

UC	系列 Series	UC	
D	磁性感應 Magnetic	無:無附磁性感應 D:內附磁性感應 Nil: No magnet D: With magnet	
Q2W	活塞桿 Piston rod	Q2:單軸 Q2: Single end rod	Q2W:雙軸 Q2W: Double end rod
B	安裝方法 Mounting method	A:兩端內螺紋 A:Female thread	B:通孔(標準) B:Hole
20	氣缸內徑 Cylinder inside diameter	Φ12, Φ16, Φ20, Φ25, Φ32, Φ40, Φ50, Φ63, Φ80, Φ100	
10	行程 Stroke	5, 10, 15, 20, 25, 30, 35, 40, 45, 50	
S	動作型式 Acting	無: 雙動 S: 單動 (壓回) T: 單動 (壓出)	Nil: Double acting S: Single acting(Retracted) T: Single acting(Extended)
M	軸端型式 Rod end	無: 內牙 M: 外牙 Nil: Female M: Male	
D-A73	近接開關 Rod end	D-A72:AC220V 5-10mA	D-A73:DC24V 5-40mA AC100V 5-20mA
2	數量 Quantity	1:1pcs	2:2pcs

使用流體: 過濾之乾燥壓縮空氣 Usable fluid: Oiled Dry Clean Compressed Air

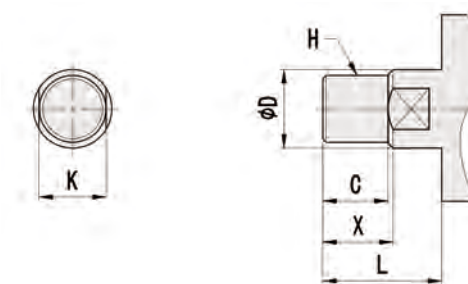
兩端內螺紋



Unit:mm

缸徑 BORE	12	16	20	25	32	40	50	63	80	100
O	M4×0.7	M4×0.7	M6×1.0	M6×1.0	M6×1.0	M6×1.0	M8×1.25	M10×1.5	M12×1.75	M12×1.75
R	7	7	10	10	10	10	14	18	22	22

桿端外螺紋



Unit:mm

缸徑 BORE	12	16	20	25	32	40	50	63	80	100
C	9	10	12	15	20.5	20.5	26	26	32.5	32.5
X	10.5	12	14	17.5	23.5	23.5	28.5	28.5	35.5	35.5
ΦD	6	8	10	12	16	16	20	20	25	30
H	M5×0.8	M6×1.0	M8×1.25	M10×1.25	M14×1.5	M14×1.5	M18×1.5	M18×1.5	M22×1.5	M26×1.5
L	14	15.5	18.5	22.5	28.5	28.5	33.5	33.5	43.5	43.5
K	5	6	8	10	14	14	17	17	22	27

UCQ2B/UCDQ2B TYPE

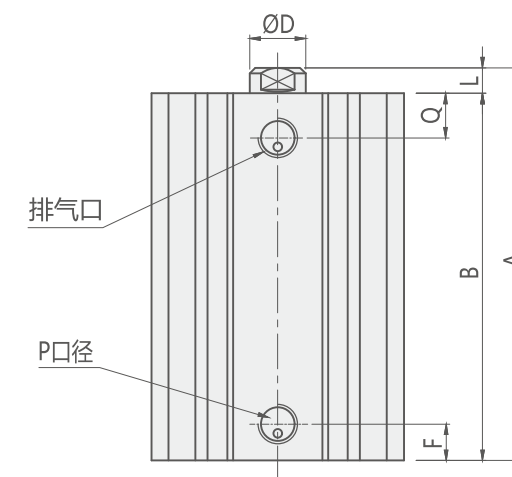
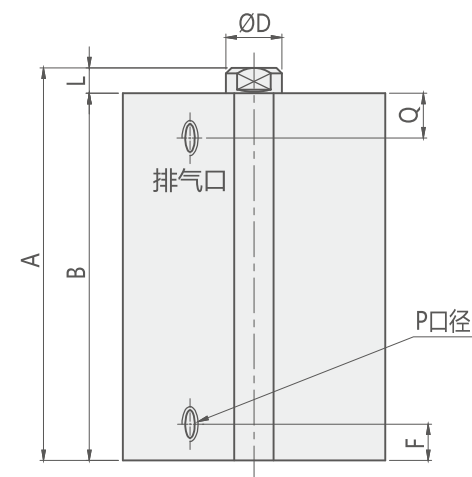
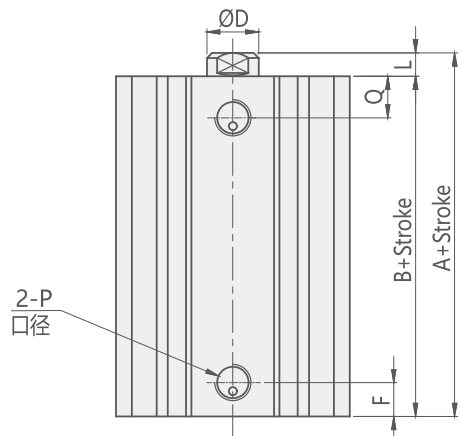
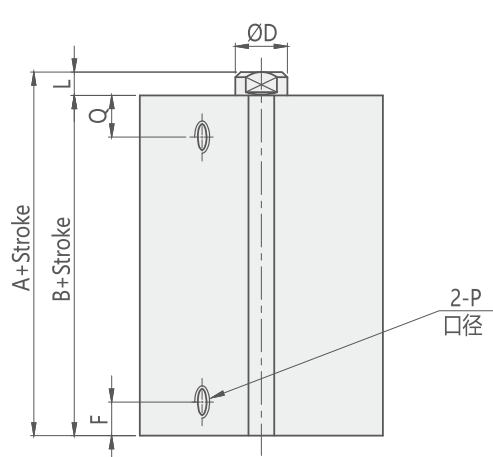
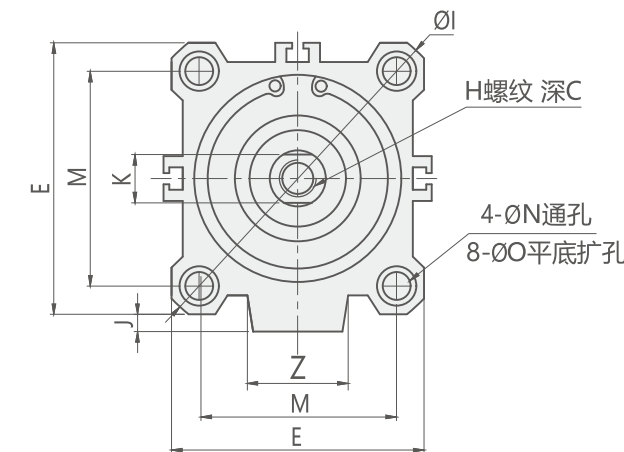
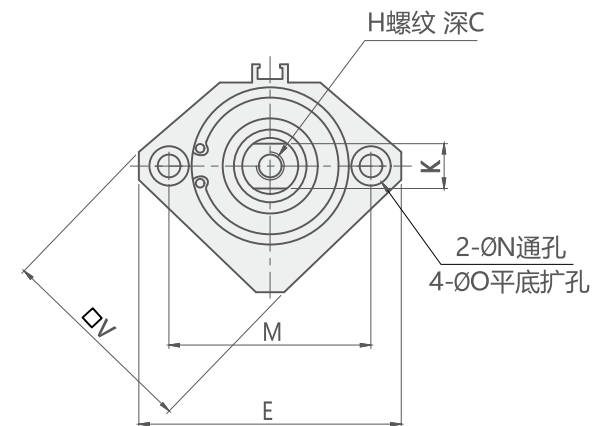
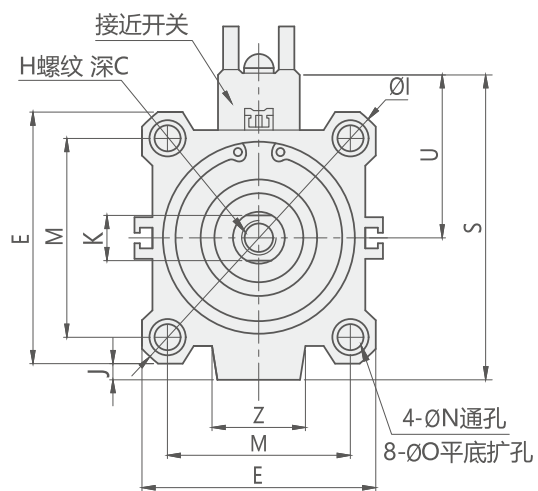
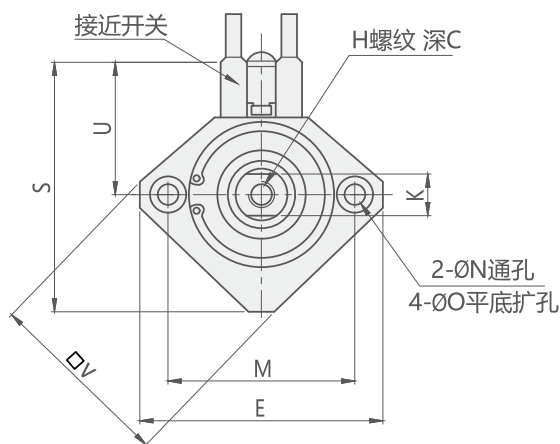
UCQ2B...S TYPE
UCQ2A...S TYPE

Bore Ø12 ~ Ø25

Bore Ø32 ~ Ø100

Bore Ø12 ~ Ø25

Bore Ø32 ~ Ø50



Unit:mm

缸径 DIAMETER	行程範圍 (mm)	A	A*	B	B*	ΦD	E	F	F*	H	C	I	J	K	L	M	ΦN	ΦO	P	P*	Q	Q*	S	U	V	Z
12	5-30	20.5	31.5	17	28	Φ6	32	6	6	M3×0.5	6	-	-	5	3.5	22	Φ3.5	Φ6.5深3.5	M5×0.8	M5×0.8	6.5	6.5	35.5	19.5	25	-
16	5-30	22	34	18.5	30.5	Φ8	38	6.5	6.5	M4×0.7	8	-	-	6	3.5	28	Φ3.5	Φ6.5深3.5	M5×0.8	M5×0.8	7	7	41.5	22.5	29	-
20	5-50	24	36	19.5	31.5	Φ10	46.8	6.5	6.5	M5×0.8	7	-	-	8	4.5	36	Φ5.5	Φ9深7	M5×0.8	M5×0.8	8	8	48	24.5	36	-
25	5-50	27.5	37.5	22.5	32.5	Φ12	52	7	7	M6×1.0	12	-	-	10	5	40	Φ5.5	Φ9深7	M5×0.8	M5×0.8	10	10	53.5	27.5	40	-
32	5 10-50	30	40	23	33	Φ16	45	8	8	M8×1.25	13	60	4.5	14	7	34	Φ5.5	Φ9深7	M5×0.8 G1/8	G1/8	9.5	9.5	58.5	31.5	-	18
40	5-50	36.5	46.5	29.5	39.5	Φ16	52	9	9	M8×1.25	13	69	5	14	7	40	Φ5.5	Φ9深7	G1/8	G1/8	10.5	10.5	66	35	-	18
50	10-50	38.5	48.5	30.5	40.5	Φ20	64	11	11	M10×1.5	15	86	7	17	8	50	Φ6.6	Φ11深8	G1/4	G1/4	11	11	80	41	-	22
63	10-50	44	54	36	46	Φ20	77	11.5	11.5	M10×1.5	15	103	7	17	8	60	Φ9	Φ14深10.5	G1/4	G1/4	15	15	93	47.5	-	22
80	10-50	53.5	63.5	43.5	53.5	Φ25	98	14	14	M16×2.0	21	132	6	22	10	77	Φ11	Φ17.5深13.5	G3/8	G3/8	15	15	112.5	57.5	-	26
100	10-50	65	75	53	63	Φ30	117	16.5	16.5	M20×2.5	27	156	6.5	27	12	94	Φ11	Φ17.5深13.5	G3/8	G3/8	22	22	132.5	67.5	-	26

註：帶「*」號為磁性氣缸尺寸 Remark: With 「*」 mark is for magnetic cylinder dimensions.

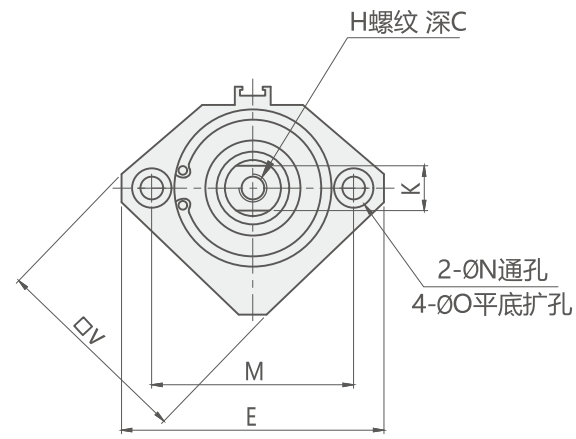
Unit:mm

缸径 DIAMETER	A			B			ΦD	E	F	H	C	ΦI	J	K	L	M	ΦN	ΦO	P			Q		V	Z	
	5st	10st	20st	5st	10st	20st													5st	10st	20st	5st	10st			
12	25.5	30.5	-	22	27	-	Φ6	32	6	6	M3×0.5	6	-	-	5	3.5	22	Φ3.5	Φ6.5深3.5	M5×0.8	M5×0.8	-	6.5	6.5	25	-
16	27	32	-	23.5	28.5	-	Φ8	38	6.5	6.5	M4×0.7	8	-	-	6	3.5	28	Φ3.5	Φ6.5深3.5	M5×0.8	M5×0.8	-	7	7	29	-
20	29	34	-	24.5	29.5	-	Φ10	46.8	6.5	6.5	M5×0.8	9	-	-	8	4.5	36	Φ5.5	Φ9深7	M5×0.8	M5×0.8	-	8	8	36	-
25	32.5	37.5	-	27.5	32.5	-	Φ12	52	7	7	M6×1.0	12	-	-	10	5	40	Φ5.5	Φ9深7	M5×0.8	M5×0.8	-	10	10	40	-
32	35	40	-	28	33	-	Φ16	45	8	8	M8×1.25	13	Φ60	4.5	14	7	34	Φ5.5	Φ9深7	M5×0.8	G1/8	-	9.5	9.5	-	18
40	41.5	46.5	-	34.5	39.5	-	Φ16	52	9	9	M8×1.25	13	Φ69	5	14	7	40	Φ5.5	Φ9深7	G1/8	G1/8	-	10.5	10.5	-	18
50	-	48.5	58.5	-	40.5	50.5	Φ20	64	11	11	M10×1.5	15	Φ86	7	17	8	50	Φ6.6	Φ11深8	-	G1/4	G1/4	11	11	-	22

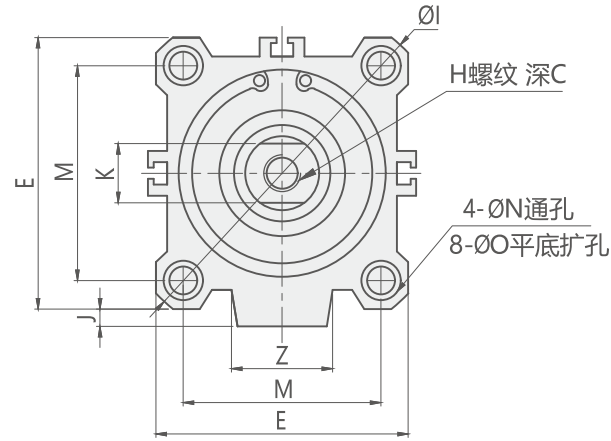
註：以上A及B的尺寸已包含行程長度 Remark: Above A and B size contains stroke length.

UCQ2B...T TYPE
UCQ2A...T TYPE

Bore Ø12 ~ Ø25

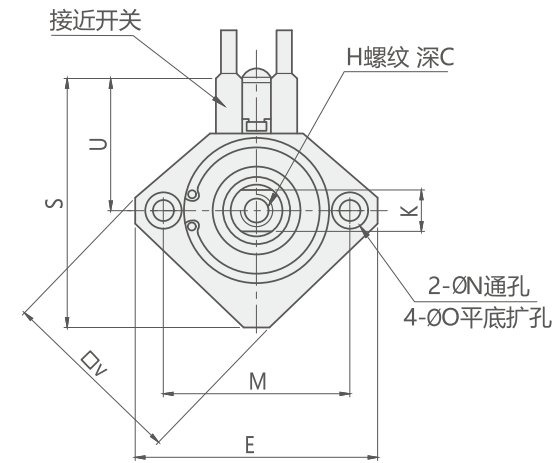


Bore Ø32 ~ Ø50

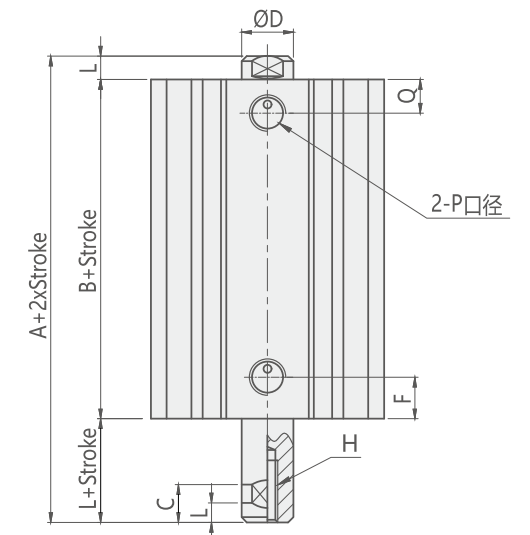
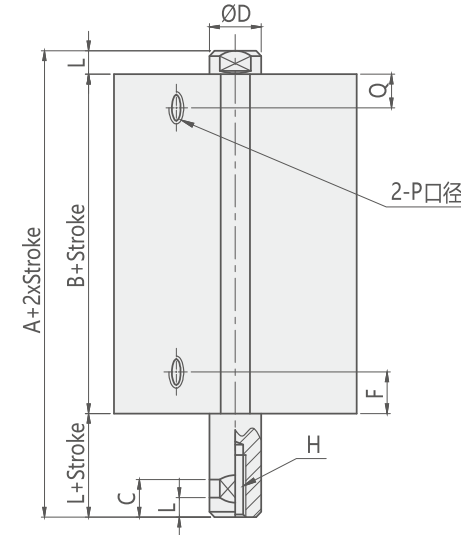
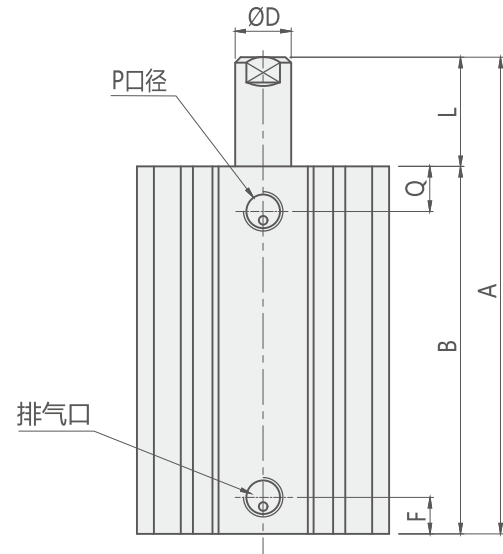
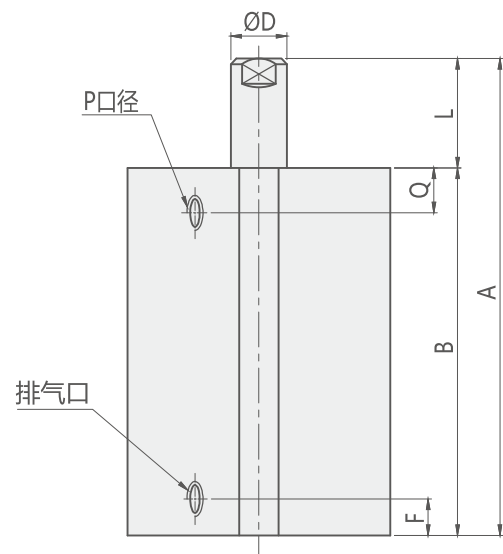
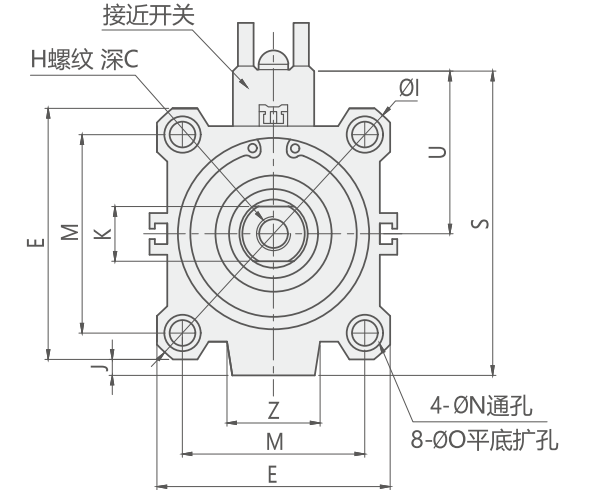


UCQ2W...B.../UCDQ2W...B...TYPE
UCQ2W...A.../UCDQ2W...A...TYPE

Bore Ø12 ~ Ø25



Bore Ø32 ~ Ø100



Unit:mm

缸徑 DIAMETER	A			B			ΦD	E	F	H	C	ΦI	J	K	L	M	N	ΦO	P			Q		V	Z				
	5st	10st	20st	5st	10st	20st													5st	10st	20st	5st	10st			20st	5st	10st	
12	30.5	40.5	-	22	27	-	Φ6	32	7	7	M3×0.5	6	-	-	5	8.5	13.5	-	22	3.5	Φ6.5深3.5	M5×0.8	M5×0.8	6.5	6.5	35.5	19.5	25	-
16	32	42	-	23.5	28.5	-	Φ8	38	6.5	6.5	M4×0.7	8	-	-	6	8.5	13.5	-	28	3.5	Φ6.5深3.5	M5×0.8	M5×0.8	7	7	41.5	22.5	29	-
20	34	44	-	24.5	29.5	-	Φ10	46.8	6.5	6.5	M5×0.8	9	-	-	8	9.5	14.5	-	36	5.5	Φ9深7	M5×0.8	M5×0.8	8	8	48	24.5	36	-
25	37.5	47.5	-	27.5	32.5	-	Φ12	52	7	7	M6×1.0	12	-	-	10	10	15	-	40	5.5	Φ9深7	M5×0.8	M5×0.8	-	10	10	40	-	
32	40	50	-	28	33	-	Φ16	45	8	8	M8×1.25	13	Φ60	4.5	14	12	17	-	34	5.5	Φ9深7	M5×0.8	G1/8	-	9.5	9.5	-	18	
40	46.5	56.5	-	34.5	39.5	-	Φ16	52	9	9	M8×1.25	13	Φ69	5	14	12	17	-	40	5.5	Φ9深7	G1/8	G1/8	-	10.5	10.5	-	18	
50	-	58.5	78.5	-	40.5	50.5	Φ20	64	11	11	M10×1.5	15	Φ86	7	17	-	18	28	50	6.6	Φ11深8	-	G1/4	G1/4	11	11	-	22	

註：以上A及B的尺寸已包含行程長度 Remark: Above A and B size contains stroke length.

Unit:mm

缸徑 DIAMETER (mm)	行程範圍	A	A*	B	B*	ΦD	E	F	F*	H	C	ΦI	J	K	L	M	ΦN	ΦO	P	P*	Q	Q*	S	U	V	Z
12	5-30	32.2	39.4	25.5	32.4	Φ6	32	6.5	6.5	M3×0.5	6	-	-	5	3.5	22	Φ3.5	Φ6.5深3.5	M5×0.8	M5×0.8	6.5	6.5	35.5	19.5	25	-
16	5-30	33	43	26	36	Φ8	38	7	7	M4×0.7	8	-	-	6	3.5	28	Φ3.5	Φ6.5深3.5	M5×0.8	M5×0.8	7	7	41.5	22.5	29	-
20	5-50	35	47	26	38	Φ10	46.8	8	8	M5×0.8	9	-	-	8	4.5	36	Φ5.5	Φ9深7	M5×0.8	M5×0.8	8	8	48	24.5	36	-
25	5-50	39	49	29	39	Φ12	52	10	10	M6×1.0	12	-	-	10	5	40	Φ5.5	Φ9深7	M5×0.8	M5×0.8	10	10	53.5	27.5	40	-
32	5 10-50	44.5	54.5	30.5	40.5	Φ16	45	9.5	9.5	M8×1.25	13	Φ60	4.5	14	7	34	Φ5.5	Φ9深7	M5×0.8 G1/8	G1/8	9.5	9.5	58.5	31.5	-	18
40	5-50	54	64	40	50	Φ16	52	10.5	10.5	M8×1.25	13	Φ69	5	14	7	40	Φ5.5	Φ9深7	G1/8	G1/8	10.5	10.5	66	35	-	18
50	10-50	56.5	66.5	40.5	50.5	Φ20	64	11	11	M10×1.5	15	Φ86	7	17	8	50	Φ6.6	Φ11深8	G1/4	G1/4	11	11	80	41	-	22
63	10-50	58	68	42	52	Φ20	77	15	15	M10×1.5	15	Φ103	7	17	8	60	Φ9	Φ14深10.5	G1/4	G1/4	15	15	93	47.5	-	22
80	10-50	71	81	51	61	Φ25	98	15	15	M16×2.0	21	Φ132	6	22	10	77	Φ11	Φ17.5深13.5	G3/8	G3/8	15	15	112.5	57.5	-	26
100	10-50	84.5	94.5	60.5	70.5	Φ30	117	22	22	M20×2.5	27	Φ156	6.5	27	12	94	Φ11	Φ17.5深13.5	G3/8	G3/8	22	22	132.5	67.5	-	26

註：帶「*」號為磁性氣缸尺寸 Remark: With 「*」 mark is for magnetic cylinder dimensions.