

# DE

## 無拉桿式鋁合金氣缸

### DE PNEUMATIC CYLINDER



#### 產品特性 FEATURES

氣缸內徑 (mm)	Φ32	Φ40	Φ50	Φ63	Φ80	Φ100
標準行程 (mm)	25, 50, 75, 100, 125, 150, 175, 200, 250, 300, 350, 400, 450, 500					
使用溫度範圍 (°C)	-10 ~ +60 °C					

最大操作壓力: 10 kgf/cm<sup>2</sup>  
 最小操作壓力: 1 kgf/cm<sup>2</sup>

Max. operating pressure: 10 kgf/cm<sup>2</sup>  
 Min. operating pressure: 1 kgf/cm<sup>2</sup>

#### 注意事項

DEB系列可附磁性感應  
 本系列空壓缸符合ISO 6430規格

#### NOTE

Magnetic piston(optional).  
 DE series cylinders according to ISO 6430 (Bore size Φ32-Φ100)

#### 雙動氣缸 DOUBLE ACTING CYLINDERS

雙動單軸標準型 Double acting-single end rod type	DEB	
雙動單軸型附磁性感應 Double acting-single end rod type(piston with magnet)	DEB...M	
雙動雙軸標準 Double acting-double end rod type	DED	
雙動雙軸型附磁性感應 Double acting-double end rod type(piston with magnet)	DED...M	
雙動雙軸可調行程 Adjustable stroke cylinder(adjustable stroke:A:25mm,B:50mm)	DEN...N...A DEN...N...B	
雙動雙軸可調行程附磁性感應型 Adjustable stroke cylinder (piston with magnet)(adjustable stroke:A:25mm,B:50mm)	DEN...M...A DEN...M...B	

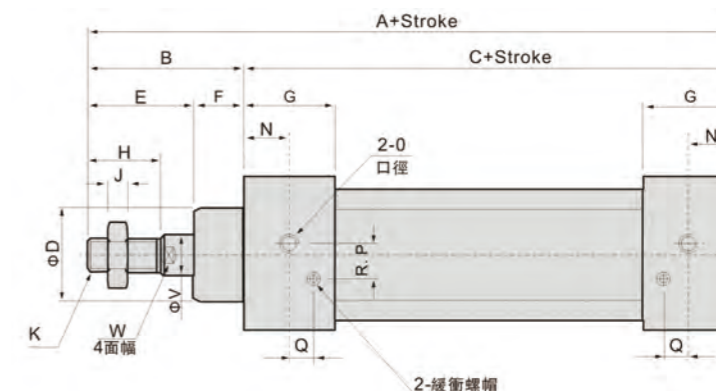
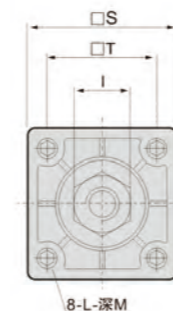
#### 訂購標示法 ORDERING INDICATION

示例: DEN50M125-B-FA-Y-LN21R\*2

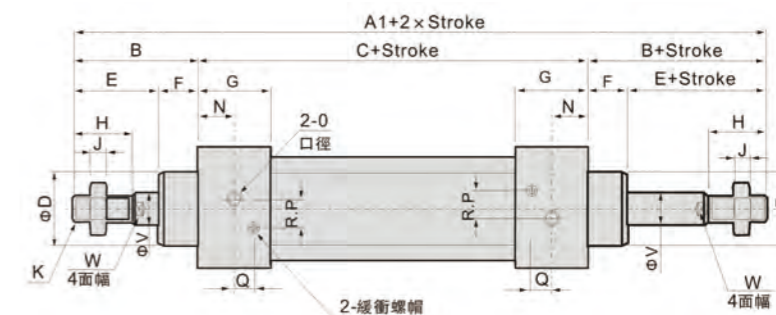
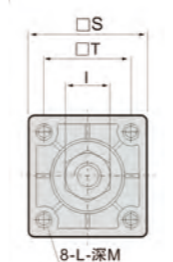
DEN	系列 Series	DEB/DED/DEN			
50	氣缸內徑 Cylinder inside diameter	Φ32, Φ40, Φ50, Φ63 Φ80, Φ100			
M	磁性感應 Magnetic	N:無附磁性感應 M:內附磁性感應 N: No magnet M: With magnet			
125	行程 Stroke	25, 50, 75, 100, 125, 150, 175, 200, 225, 300, 350, 400, 450, 500			
B	可調行程 Adjustable stroke	A: 可調25mm A:Adjustable 25mm	B: 可調50mm B:Adjustable 50mm	C: 可調75mm C: Adjustable 75mm	
FA-Y	配件 Accessories	FA:前法蘭 Front flange FB:後法蘭 After flange TC:中間軸銷 Intermediate pivot	CA:單耳座 Male pivot CB:雙耳座 Female pivot LB:支架 Axial foot	Y:Y型接頭 Rod clevis G:魚眼接頭 Oscillating eye K:浮動接頭 Compensating joint	
LN21R	近接開關 Sensor switch				
2	數量 Quantity	1:1pcs	2:2pcs		

使用流體: 過濾之乾燥壓縮空氣 Usable fluid: Oiled Dry Clean Compressed Air

#### DEB TYPE



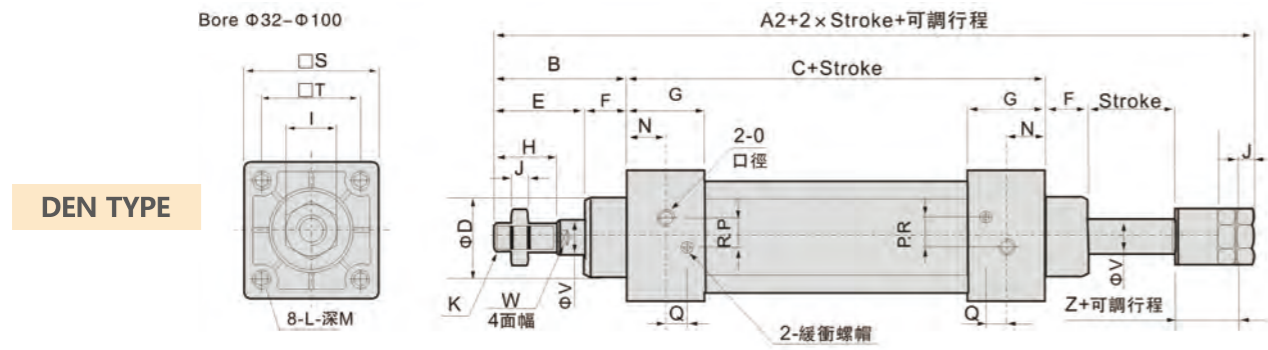
#### DED TYPE



Unit:mm

缸徑 DIAMETER	A1	A	B	C	D	E	F	G	H	I	J	K	L	M	N	O	P	Q	R	S	T	V	W
32	187	140	47	93	28	32	15	27.5	22	17	6	M10×1.25	M6×1	9.5	13.75	G1/8	3.5	7.5	7	45	33	12	10
40	191	142	49	93	32	34	15	27.5	24	17	7	M12×1.25	M6×1	9.5	13.5	G1/4	6	8.2	9	50	37	16	14
50	207	150	57	93	38	42	15	27.5	32	23	8	M16×1.5	M6×1	9.5	13.5	G1/4	8.5	8.2	9	62	47	20	17
63	210	153	57	96	38	42	15	27.5	32	23	8	M16×1.5	M8×1.25	9.5	13.5	G3/8	7	8.2	8.5	75	56	20	17
80	258	183	75	108	47	54	21	33	40	26	10	M20×1.5	M10×1.5	11.5	16.5	G3/8	10	9.5	14	94	70	25	22
100	264	189	75	114	47	54	21	33	40	26	10	M20×1.5	M10×1.5	11.5	16.5	G1/2	11	9.5	14	112	84	25	22

註: 附磁型與不附磁型之尺寸相同 Remark:The dimensions of magnetic type are same as no-magnetic type.

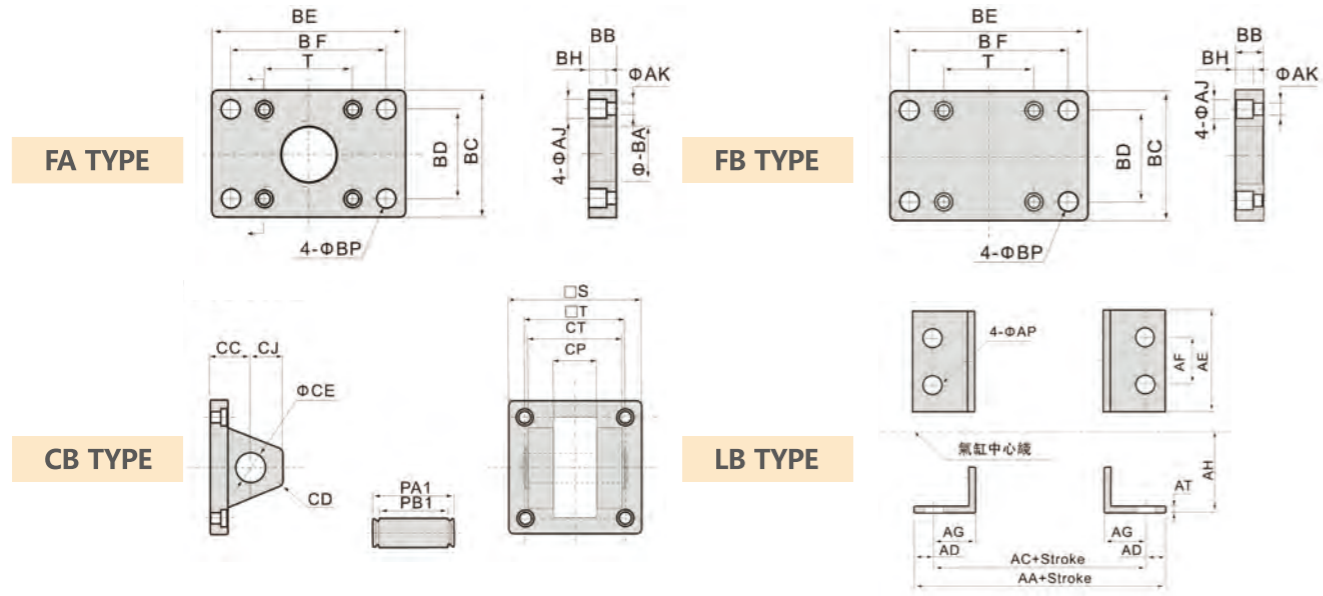


DEN TYPE

Unit:mm

缸徑 DIAMETER	A2	B	C	D	E	F	G	H	I	J	K	L	M	N	O	P	Q	R	S	T	V	W	Z
32	182	47	93	28	32	15	27.5	22	17	6	M10×1.25	M6×1	9.5	13.75	G1/8"	3.5	7.5	7	45	33	12	10	21
40	185	49	93	32	34	15	27.5	24	17	7	M12×1.25	M6×1	9.5	13.5	G1/4"	6	8.2	9	50	37	16	14	21
50	196	57	93	38	42	15	27.5	32	23	8	M16×1.5	M6×1	9.5	13.5	G1/4"	8.5	8.2	9	62	47	20	17	23
63	199	57	96	38	42	15	27.5	32	23	8	M16×1.5	M8×1.25	9.5	13.5	G3/8"	7	8.2	8.5	75	56	20	17	23
80	243	75	108	47	54	21	33	40	26	10	M20×1.5	M10×1.5	11.5	16.5	G3/8"	10	9.5	14	94	70	25	22	29
100	249	75	114	47	54	21	33	40	26	10	M20×1.5	M10×1.5	11.5	16.5	G1/2"	11	9.5	14	112	84	25	22	29

註：附磁型與不附磁型之尺寸相同 Remark:The dimensions of magnetic type are same as no-magnetic type.



FA TYPE

FB TYPE

CB TYPE

LB TYPE

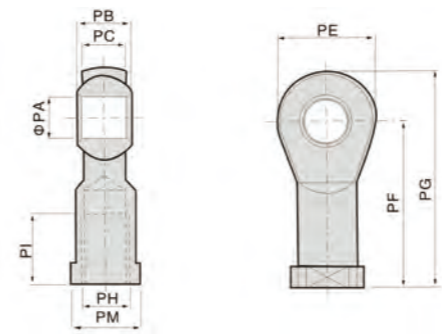
安裝配件尺寸 ACCESSORIES

Unit:mm

缸徑 DIAMETER	FA前法蘭										FB後法蘭										
	BA	BB	BC	BD	BE	BF	BH	AJ	AK	BP	T	BB	BC	BD	BE	BF	BH	AJ	AK	BP	T
32	28.3	10	47	33	72	58	6.5	10.5	6.5	7	33	10	47	33	72	58	6.5	10.5	6.5	7	33
40	32.3	10	52	36	84	70	6.5	10.5	6.5	7	37	10	52	36	84	70	6.5	10.5	6.5	7	37
50	38.3	10	65	47	104	86	6.5	13.5	8.5	9	47	10	65	47	104	86	6.5	13.5	8.5	9	47
63	38.3	12	76	56	116	98	8.5	13.5	8.5	9	56	12	76	56	116	98	8.5	13.5	8.5	9	56
80	47.3	16	95	70	143	119	10.5	16.6	10.5	12	70	16	95	70	143	119	10.5	16.6	10.5	12	70
100	47.3	16	115	84	162	138	10.5	16.6	10.5	12	84	16	115	84	162	138	10.5	16.6	10.5	12	84

缸徑 DIAMETER	CB雙耳座										LB支架									
	CC	CD	CE	CJ	CP	CT	PA1	PB1	S	T	AA	AC	AD	AE	AF	AG	AH	AP	AT	
32	19	3	12	13	16.3	32	41	33.5	48	33	153	134	9.5	50	33	20.5	28	9	3.2	
40	19	3	14	13	20.3	44	51.8	45.5	50	37	169	140	14.5	57	36	23.5	30	12	3.2	
50	19	5	14	15	20.3	52	60.3	54	62	47	173	149	12	68	47	28	36.5	12	3.2	
63	19	5	14	15	20.3	52	60.3	54	75	56	184	158	13	80	56	31	41	12	3.2	
80	32	8	20	21	32.3	64	73.8	65.5	94	70	200	168	16	97	70	30	49	14	4	
100	32	8	20	21	32.3	64	73.8	65.5	112	84	210	174	18	112	84	30	57	14	4	

G魚眼接頭 OSCILLATING EYE



缸徑 DIAMETER	G魚眼接頭										K浮動接頭						
	PA	PB	PC	PE	PF	PG	PH	PI	PM	MA	MB	MC	MF	MG	MH	MI	
32	10	14	11	26	43	56	M10×1.25	21	17	58	22	7	M10×1.25	12	26	17	
40	12	16	12	30	50	65	M12×1.25	24	19	58	22	8	M12×1.25	12	28	19	
50	16	21	15	38	64	83	M16×1.5	33	22	90	27	10	M16×1.5	14	45	27	
63	16	21	15	38	64	83	M16×1.5	33	22	90	27	10	M16×1.5	14	45	27	
80	20	25	18	46	77	100	M20×1.5	40	32	102	29	13	M20×1.5	18	53	33	
100	20	25	18	46	77	100	M20×1.5	40	32	102	29	13	M20×1.5	18	53	33	

Unit:mm

TC TYPE

TC-M TYPE

CA TYPE

Y接頭 Y ROD CIEVIS(WITH PIN)

安裝配件尺寸 ACCESSORIES

Unit:mm

缸徑 DIAMETER	TC 中間軸銷										TC-M 支撐架									
	EB	EC	ED	EE	EG	EP	ET	S	HA	HB	HC	HD	HE	HF	HI	HJ	HQ	HR	HT	HP
40	113	63	37	63	25	25	30	45.5	110	80	45.5	22	109	86	81.5	50	23	2	12	12
50	126	76	47	76	25	25	30	55.5	110	80	55.5	22	122	99	88	50	23	2	12	12
63	138	88	56	88	25	25	30	68.5	110	80	68.5	22	134	111	94	50	23	2	12	12
80	164	114	70	114	25	25	30	87.5	120	80	87.5	22	160	137	127	70	23	2	14	14
100	182	132	84	132	25	25	40	107.5	120	80	107.5	22	178	155	136	70	23	2	14	14

缸徑 DIAMETER	CA單耳座							Y接頭						
	S	T	DC	DD	DE	DJ	DQ	NA	NC	ND	NH	NM	NP	NQ
32	48	33	34	14	12	14	16	19	10	40	M10×1.25	10	20	52
40	50	37	34	14	14	14	20	25.4	12	48	M12×1.25	12	24	62
50	62	47	34	15	14	15	20	32	16	64	M16×1.5	16	32	83
63	75	56	34	15	14	15	20	32	16	64	M16×1.5	16	32	83
80	94	70	48	20	20	20	32	44.4	20	80	M20×1.5	20	40	105
100	112	84	48	20	20	20	32	44.4	20	80	M20×1.5	20	40	105