

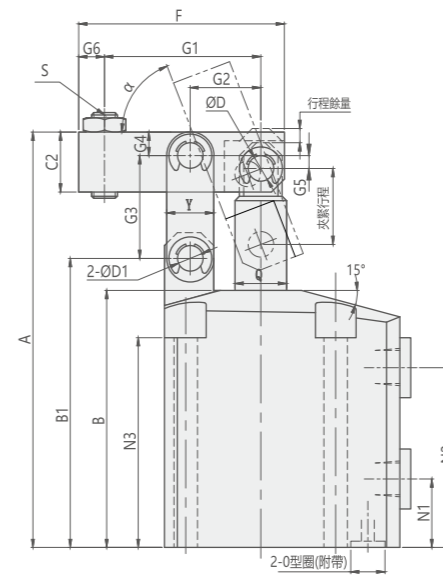
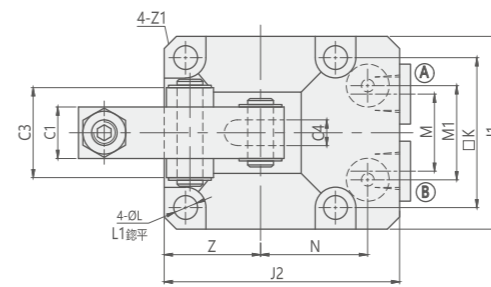
CBLU

方塊&緊湊型
杠桿式油壓缸

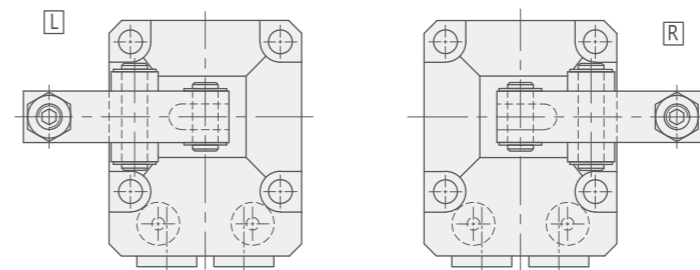
CBLU HYDRAULIC LEVERAGE CLAMP



Unit:mm



壓臂安裝方向 Lever Direction



Ⓐ 夾持油孔 Clamping port
Ⓑ 放鬆油孔 Unclamping port

MODEL ITEM	CBLU -25	CBLU -30	CBLU -35	CBLU -45	CBLU -55	CBLU -70
A	97	108	119.5	140	166	199
B	60	66	71	83	95	112
B1	67.5	75.5	81.5	95	109.5	130
C1	12	12	16	19	22	32
C2	14	16	20	25	31	38
C3	21	21	28	37	46	56
C4	6	6	8	10	11	16
D	Φ6	Φ6	Φ6	Φ8	Φ12	Φ14
D1	Φ6	Φ6	Φ8	Φ10	Φ14	Φ16
F	48.5	54	64	73.5	90.5	115.5
G1	36.5	42	50	56.5	69.5	87.5
G2	16.5	18.5	21	24.5	30.5	37.5
G3	24	26	30	35.5	44	53
G4	5.5	6.5	8	9.5	12.5	16
G5	3	3.5	6	7.5	9.5	9.5
G6	6	6	8	10	11	15
J1	45	50	57	70	86	108
J2	55	60	66	82	96	120
K	35	40	46	56	68	88
L	Φ5.5	Φ5.5	Φ6.8	Φ9	Φ11	Φ14
L1	Φ9.5	Φ9.5	Φ11	Φ14	Φ17.5	Φ20
M	20	22	26	30	38	50
M1	22	24	28	36	45	50
N	25	28	30.5	36	42	57
N1	16	17	17	22	23	28
N2	42	48	51	56.5	64.5	80.5
N3	49	54	57	66	73.5	83
Z	22.5	25	28.5	35	43	54
Z1	C3	C3	C3	C4	C6	C6.5
S	M6x25	M6x25	M8x30	M10x40	M12x50	M16x60
α	69°	71°	70°	70°	69°	72°
Y	11	13	15	19	25	32
Q	Φ12	Φ14	Φ14	Φ16	Φ22	Φ28
配管式油口 PORT WITH LINE TYPE	PT1/8	PT1/8	PT1/8	PT1/4	PT1/4	PT3/8
油孔O型圈 (C型) O-RING HOLE (C TYPE)	P7	P7	P7	P8	P8	P10

產品特性

此系列產品配件採用優化設計,與傳統產品比較夾緊能力提高了。產品支撐點部位與缸體採用一體化結構,使體積更加緊湊,提高了產品強度。產品採用了專用防塵設計,提高了防塵和密封性,實現了高密封性。產品採用方塊型設計,不需墊塊安裝方便。

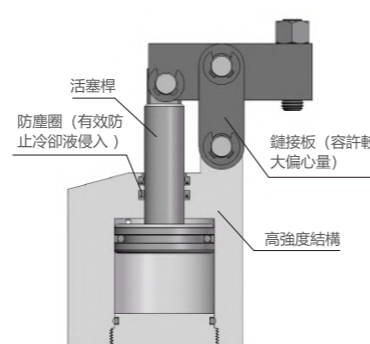
最大操作壓力: 70 kgf/cm²
最小操作壓力: 10 kgf/cm²

FEATURES

This series product with the optimal design, so the clamping capacity is better than the traditional product. Product with the integrated structure on support site and cylinder body, so made more impact, and strength can be improved. Product with special dust proof design, dust proof and sealing have been improved, so it has high sealing performance. Product with the box-type design, do not need to block the installation, is convenient.

Max. operating pressure: 70 kgf/cm²
Min. operating pressure: 10 kgf/cm²

剖面圖 Sectional view



注意事項

夾緊及放鬆作動速度需適當放緩。

NOTE

The acting speed of clamping-unclamping should be slowed down.

訂購標示法 ORDERING INDICATION

示例: CBLU-30CL

CBLU	系列 Series	CBLU
30	油缸內徑 Hydraulic cylinder inside diameter	Φ 25, Φ 30, Φ 35, Φ 45 Φ 55, Φ 70
C	油口型式 Port type	空白: 配管式 G: 油路板式 C: 油路板式附調速
L	壓臂安裝方向 Lever direction	空白: 標準 L: 左 R: 右

Blank: Line type	Blank: Manifold type	Blank: Manifold with flow type
LINE TYPE 配管式	G-MANIFOLD TYPE G: 油路板式	C-MANIFOLD WITH FLOW CONTROL C: 油路板式附調速

規格參數表 SPECIFICATION

型號	理論夾持力 (70 kgf/cm ²)	夾緊行程	總行程	推出容積	拉入容積	推出受壓面積	拉入受壓面積	使用溫度範圍	使用液體
MODEL	CLAMPING FORCE AT 70 kgf/cm ² (kgf)	CLAMPING STROKE (mm)	TOTAL STROKE (mm)	CYLINDER CAPACITY CLAMP (cm ³)	CYLINDER CAPACITY UNCLAMP (cm ³)	EFF. PISTON AREA CLAMP (cm ²)	EFF. PISTON AREA UNCLAMP (cm ²)	RANGE OF TEMPERATURE (°C)	USABLE FLUID
CBLU-25	283	17.5	20.5	10.00	5.69	4.91	2.78	-10~+70°C	相當於ISO黏度等級的ISO-VG-32一般液壓油 General Hydraulic Oil Equivalent to ISO-VG-32
CBLU-30	391	20.5	23.5	16.60	13.00	7.07	5.53	-10~+70°C	
CBLU-35	486	23	26	25.00	21.00	9.62	8.08	-10~+70°C	
CBLU-45	852	26.5	29.5	46.90	41.00	15.90	13.90	-10~+70°C	
CBLU-55	1300	33	36	85.50	71.80	23.75	19.95	-10~+70°C	
CBLU-70	2020	42	45	173.10	145.40	38.47	32.32	-10~+70°C	